

Installation Instruction

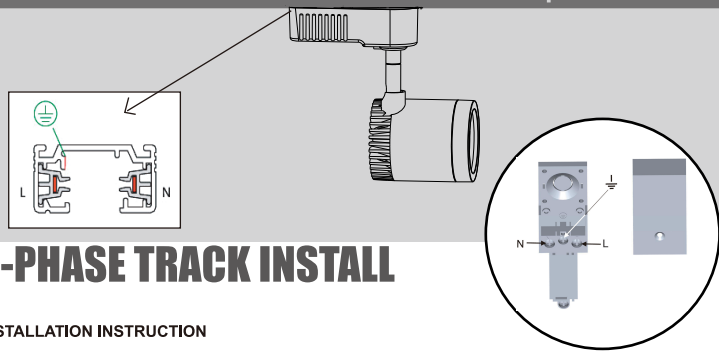
Art.

A0320011
A0320012
A0320013

ARTECTA®

THE ART OF LIGHTING

NEW YORK SERIES



3-PHASE TRACK INSTALL

INSTALLATION INSTRUCTION

CAUTION:

This unit is IP20 and only for indoor use
Only a qualified electrician can connect the wiring to the track adapter
Do not service the ballast or other voltage live components.
In case of any doubt, always contact a qualified electrician.

Before installing the fixture, make sure the power is switched OFF and follow the A, B steps as the figure for installation or replacement of the bulb

- Step: A. open the protection ring (turn left)
B. install the new bulb (push and turn right) and mount the protection ring (turn right) (to remove an old bulb, push and turn left)

Before installing the fixture into the track, make sure the power is switched OFF (C step 3).

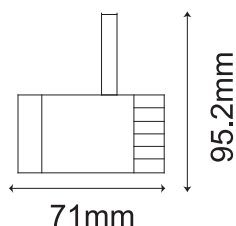
- C. connect the adapter into the track (step 1, 2, 3) and switch on the power (step 4)

CLEANING INSTRUCTION

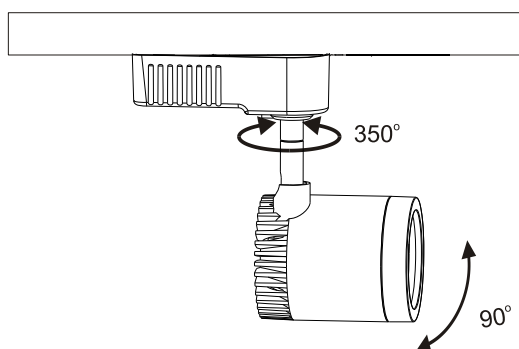
1. Before cleaning, ensure that the power is switched off.
2. Fixture unit and bulb can be hot. Wait until the unit has cooled
3. Use only a soft cloth to clean the fixture, dampened with mild cleaner if needed for resistant dirt. Warning: do not use alcohol or other solvents!

DIMENSIONS

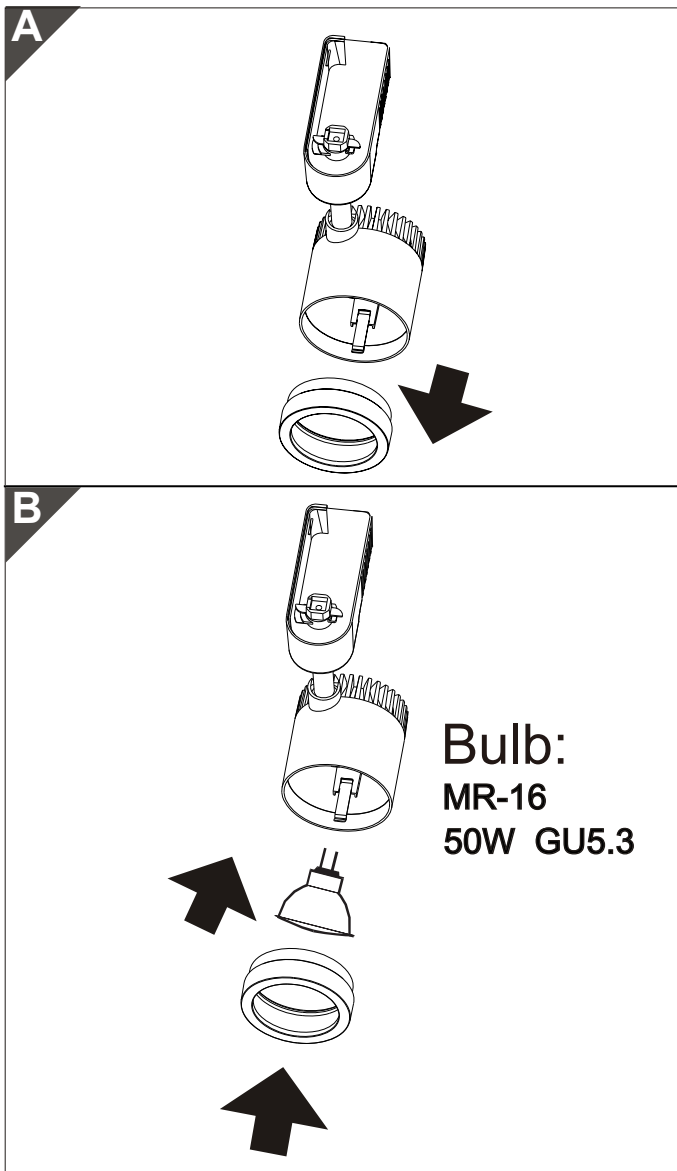
Dimension in mm



ANGLE ADJUSTMENT



LAMP INSTALLATION



FIXTURE/ADAPTER MOUNTING

